

**Bobcat**

INSTALLATION INSTRUCTION

Instruction: 6987492enUS
Product: BOBCAT LOADER
Subject: COUPLER GUARD KIT

Kit Number	7174131, 7250844
-------------------	------------------

MODEL	SERIAL NUMBER
A770	A3P611001 & Above A3P711001 & Above ASRW11001 & Above ATDW11001 & Above ATDY11001 & Above AT5J11001 & Above B3BU11001 & Above
S510	A3NJ11001 & Above AZN411001 & Above AZN511001 & Above ALNW11001 & Above B42411001 & Above B42S11001 & Above
S530	A7TV11001 & Above AZN611001 & Above AZN711001 & Above ALR811001 & Above B42811001 & Above B42T11001 & Above
S550	A3NL11001 & Above AZN811001 & Above AZN911001 & Above AHGM11001 & Above
S570	A7U711001 & Above AZNB11001 & Above AZNC11001 & Above ALM411001 & Above
S590	ANMN11001 & Above AZND11001 & Above AZNE11001 & Above AR9R11001 & Above
S595	B3NL11001 & Above
S630	A3NT11001 & Above A3NU11004 & Above AHGL11001 & Above B2L511001 & Above

MODEL	SERIAL NUMBER
S650	A3NV11001 & Above A3NW11001 & Above ALJ811001 & Above S1ML11001 & Above 1MLS11001 & Above B2LA11001 & Above
S740	B3BT11001 & Above
S750	A3P211001 & Above ATDZ11001 & Above AT5211001 & Above
S770	A3P411001 & Above A3P511001 & Above ASRV11001 & Above ATF211001 & Above ATF311001 & Above AT5A11001 & Above B3BV11001 & Above
S850	ACS711001 & Above ACSL11001 & Above ATF411001 & Above ATF511001 & Above AJ9C11001 & Above B3BY11001 & Above B47711001 & Above
T550	A7UJ11001 & Above AJZV11001 & Above
T590	A3NR11001 & Above A3NS11001 & Above ALJU11001 & Above B37811001 & Above B3Z711001 & Above B3ZA11001 & Above
T595	B3NK11001 & Above
T630	A7PU11001 & Above AJDT11001 & Above
T650	A3P011001 & Above A3P111001 & Above ALJG11001 & Above T1ML11001 & Above 1MLT11001 & Above B2KZ11001 & Above
T740	B3CA11001 & Above
T750	ANKA11001 & Above ATF611001 & Above AT5T11001 & Above

MODEL	SERIAL NUMBER
T770	A3P811001 & Above A3P911001 & Above AUYB11001 & Above AN8T11001 & Above ATF711001 & Above B3BW11001 & Above AT6311001 & Above
T870	A3PG11001 & Above A3PH11001 & Above AN8L11001 & Above ATF811001 & Above ASWT11001 & Above B3BZ11001 & Above B47C11001 & Above B47H11001 & Above B47L11001 & Above

ESTIMATED INSTALLATION TIME: 5 MINUTES*

*Approximate time only; actual time may vary.

Kit Explanation

This installation instruction will explain how to safely and correctly install the Coupler Guard Kit.

Read this instruction completely to become familiar with the procedures before beginning the installation.

To avoid duplication, instructions may refer you to the Operation & Maintenance Manual or the Service Manual for more detailed instructions



AVOID INJURY OR DEATH

Wear safety glasses to prevent eye injury when any of the following conditions exist:

- When fluids are under pressure.
- Flying debris or loose material is present.
- Engine is running.
- Tools are being used.

W-2019-0907



WARNING

AVOID BURNS

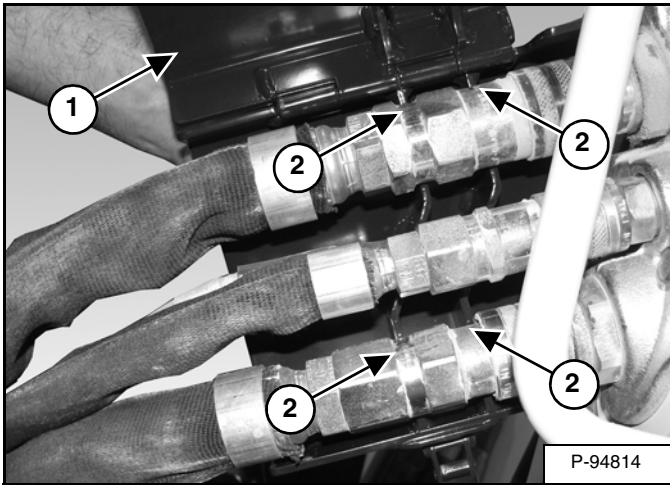
Hydraulic fluid, tubes, fittings and quick couplers can get hot when running machine and attachments. Be careful when connecting and disconnecting quick couplers.

W-2220-0396

NOTE: There are two different coupler blocks (FFI/FI or FFH/FH) that can be used on the machine. Refer to the service manual to determine which coupler block is used on the machine.

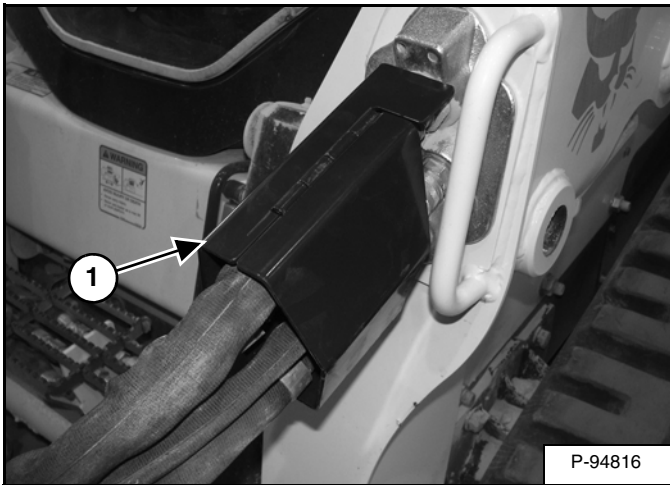
Coupler guard (P/N 7173324) will only fit FFI/FI coupler blocks. Coupler guard (P/N 7250845) fits either FFI/FI or FFH/FH coupler blocks.

Figure 1



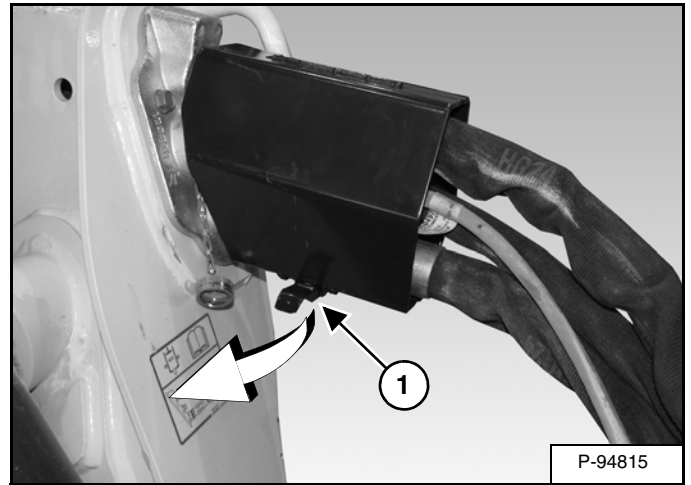
Place the coupler guard (Item 1) over the couplers and align the shield with the grooves (Item 2) [Figure 1] on the hose couplers.

Figure 2



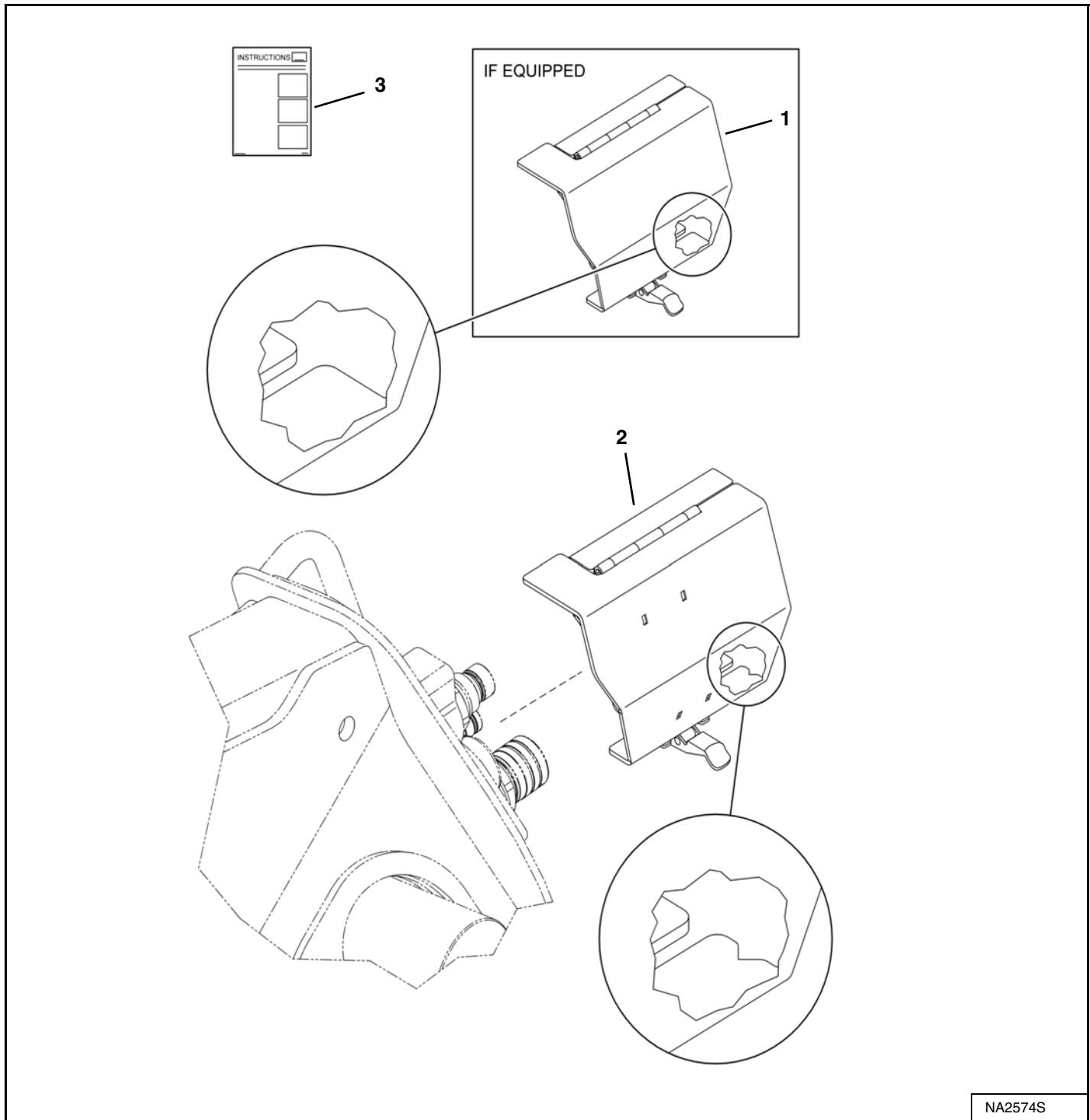
Close the coupler guard (Item 1) [Figure 2] over the couplers.

Figure 3



With the coupler guard fully closed over the couplers, hook the latch (Item 1) [Figure 3] and pull the latch back to the locked position.

CUSTOMER PACKING LIST



(Kit #7174131, #7250844) Coupler Guard Kit

REF.	PART NO.	DESCRIPTION	KIT #7174131	KIT #7250844
1	7173324	GUARD, COUPLER	1	0
2	7250845	GUARD, COUPLER	0	1
3	6987492enUS	INSTRUCTIONS	1	1